

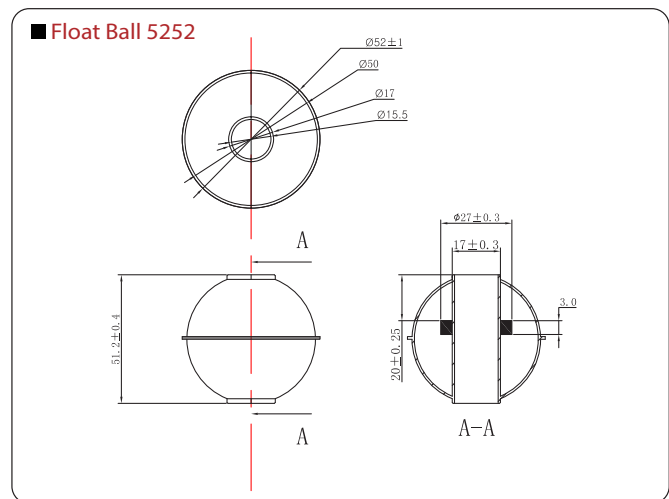
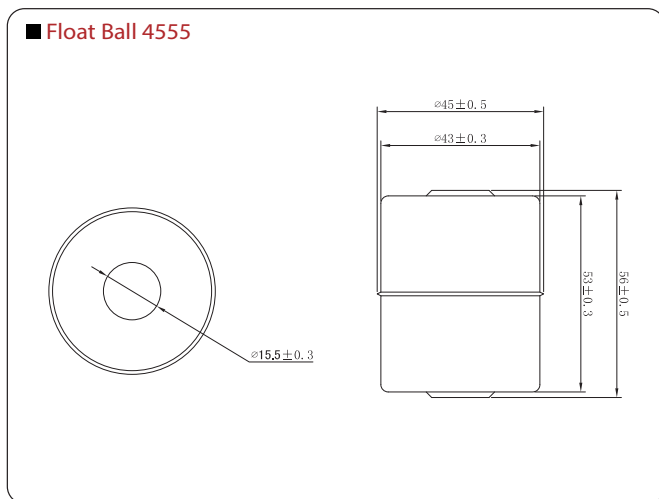
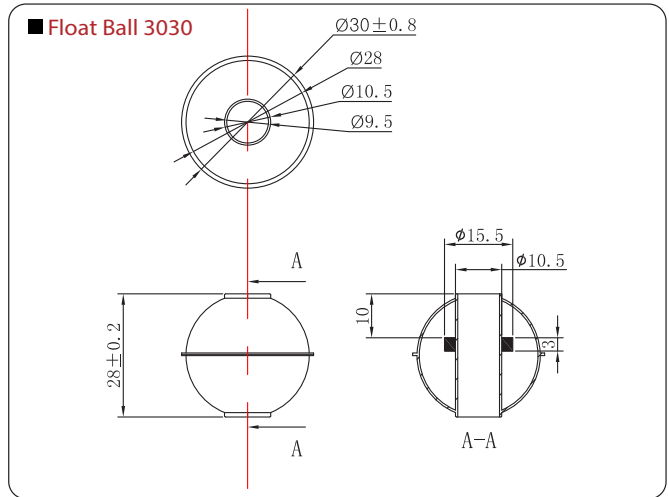
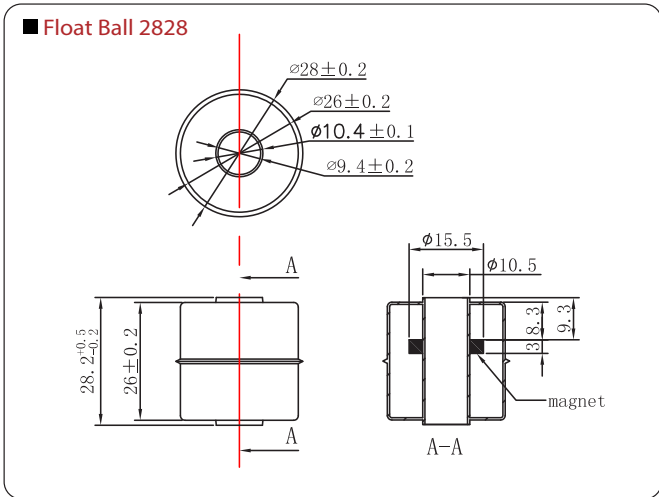


- Available in Multiple Dimensions
- Float Ball features Stainless Steel construction
- SS 316/SS 304 Material
- Designed for use in open and closed tanks
- High-pressure and high temperature applications.



Model	Float Ball 2828	Float Ball 3030	Float Ball 4128	Float Ball 4555	Float Ball 5252	Float Ball 5261	Float Ball 66120M6
Dimensions	28*28mm	30*30mm	41*28mm	45*55mm	52*52mm	52*61mm	66*120mm
Material	SS 316	SS Material	SS 316	SS 316	SS 304	SS 316	SS Material
Unmarked Tolerance	±0.2	±0.2	±0.2	±0.2	±0.2	±0.2	±0.2
Pressure	1.8MPa	2.5MPa	2MPa	2MPa	2.5MPa	2.5MPa	6.0MPa
Temperature	-40~125°C	-40~125°C	-40~125°C	-40~125°C	-40~125°C	-40~125°C	-40~250°C
Magnet Dimension	Ø10.0 ± 0.3	Ø10.0 ± 0.3	Ø15.5 ± 0.3	Ø15.5 ± 0.3	Ø27*17*3	Ø15.5 ± 0.3	Ø6.0 ± 0.3

Dimension





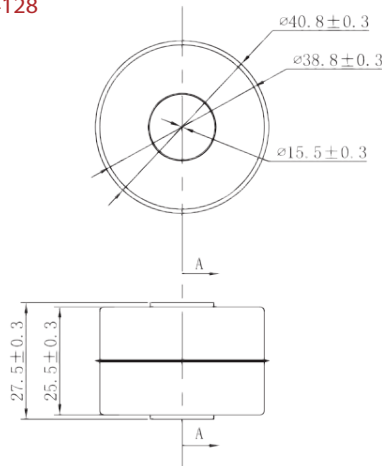
- Available in Multiple Dimensions
- Float Ball features Stainless Steel construction
- SS 316/SS 304 Material
- Designed for use in open and closed tanks
- High-pressure and high temperature applications.



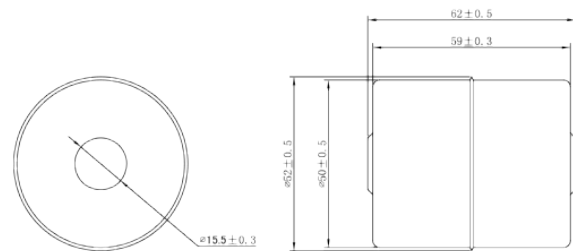
Model	Float Ball 2828	Float Ball 3030	Float Ball 4128	Float Ball 4555	Float Ball 5252	Float Ball 5261	Float Ball 66120M6
Dimensions	28*28mm	30*30mm	41*28mm	45*55mm	52*52mm	52*61mm	66*120mm
Material	SS 316	SS Material	SS 316	SS 316	SS 304	SS 316	SS Material
Unmarked Tolerance	±0.2	±0.2	±0.2	±0.2	±0.2	±0.2	±0.2
Pressure	1.8MPa	2.5MPa	2MPa	2MPa	2.5MPa	2.5MPa	6.0MPa
Temperature	-40~125°C	-40~125°C	-40~125°C	-40~125°C	-40~125°C	-40~125°C	-40~250°C
Magnet Dimension	Ø10.0 ± 0.3	Ø10.0 ± 0.3	Ø15.5 ± 0.3	Ø15.5 ± 0.3	Ø27*17*3	Ø15.5 ± 0.3	Ø6.0 ± 0.3

Dimension

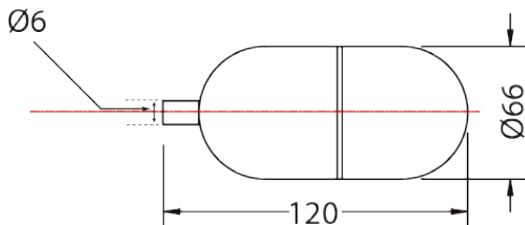
Float Ball 4128



Float Ball 5261



Float Ball 66120M6



All Dimension are in mm

BTH Float Ball 28*28 Version 1.0
 BTH Float Ball 30*30 Version 1.0
 BTH Float Ball 41*28 Version 1.0
 BTH Float Ball 45*55 Version 1.0
 BTH Float Ball 52*52 Version 1.0
 BTH Float Ball 52*61 Version 1.0
 BTH Float Ball 66*120 Version 1.0