



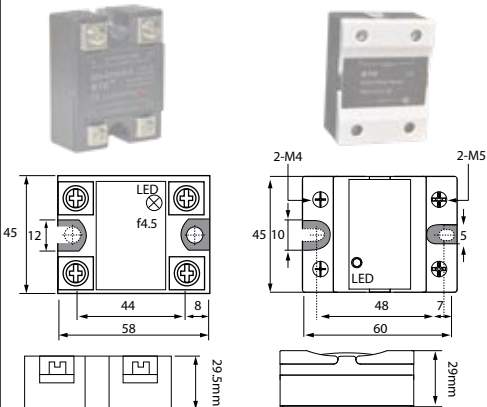
Input DC, working Voltage AC, Single Phase

- Current rating 10 to 120 Amps
- Output working voltage 24-480 VAC
- Protective cover for greater safety, available with IP20
- Operation indicator enables monitoring operation
- Improved SEMS screw and washer

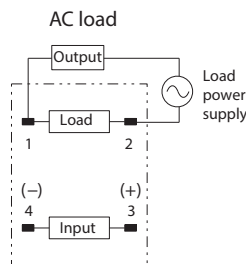


Model	BDA-2410-00	BDA-2416-00	BDA-2425-00	BDA-2440-00	BDA-2460-00	BDA-2480-00	BDA-24100-00-S	BDA-24120-00-S
Maximum load current (Amps)	10Amp.	16Amp.	25Amp.	40Amp.	60Amp.	80Amp.	100Amp.	120Amp.
Load type	SPST-NO (1 N/O) Resistive							
Load switching voltage AC Vrms	24~480VAC (47-63Hz)							
Maximum peak voltage AC Vpk	800V				1600V			
Switch type	Zero Cross							
On voltage drop VAC	1.5V (RMS) max							
Leakage current (off state) mA	5mA max. (at 100 VAC), 10mA max. (at 200 VAC)							
Operating Voltage	3~32VDC							
Control current <mA>	<20mA							
Turn-ON voltage V _{min}	3VDC max.							
Turn-OFF voltage V	1VDC min.							
Maximum Turn-On Time (msec)	1/2 Cycle (6)							
Maximum Turn-Off Time (msec)	1/2 Cycle							
Insulation resistance	≤ 100MΩ at 500VDC, 50%RH							
Maximum Capacitance, Input/Output	8pF							
Operating time	≤ 10ms							
Release time	≤ 10ms							
Dimensions (L x W x H)	60 x 45.1 x 27.5mm							
Weight	98~120g							
Ambient temperature	storage	-30 to 80°C						
	operating	-30 to 80°C (with derating). Heat sink is required.						
Protection Class	IP20 protection by flaps/Cover on terminals.							
Maximum 1/2 Cycle I ² T for Fusing (50/60Hz) (A ² sec)	81~20,000							
Dielectric Strength, Input/Output/Base (50/60Hz)	4000VRMS							
Minimum Power Factor (with Maximum Load)	0.5							

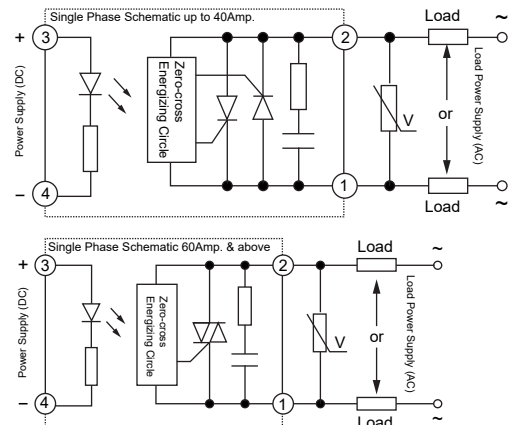
■ Dimension



■ Connection



■ Schematic



The specifications are subject to change without prior notice

All Dimension are in mm

BTH BDA-2410-00	Version 1.0	BTH BDA-2460-00	Version 1.0
BTH BDA-2416-00	Version 1.0	BTH BDA-2480-00	Version 1.0
BTH BDA-2425-00	Version 1.0	BTH BDA-24100-00-S	Version 1.0
BTH BDA-2440-00	Version 1.0	BTH BDA-24120-00-S	Version 1.0