



Features:

- » AC input selectable by switch
- » High efficiency, high reliability
- » 100% full load and machine test
- » Protection characteristics: short circuit/overload
- » Air cooling
- » Working frequency 37 KHz
- » Size: 159 x 98 x 38mm

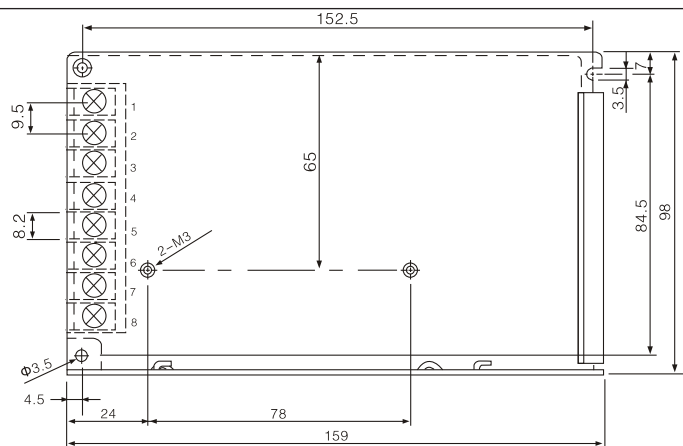


Model & Specification	PKQ-60C			
	CH1	CH2	CH3	CH4
DC output Voltage, Current	5V 0~5.5A	15V 0~1.5A	-5V 0~0.5A	-15V 0~0.5A
Wave and Noise	100mVp-p	120mVp-p	100mVp-p	120mVp-p
Inlet wire Stability	± 0.5%	± 2%	± 0.5%	± 0.5%
Load Stability	± 0.5%	± 4%	± 1%	± 1%
Efficiency	72%			
Adjustable Range for DC Voltage	CH1: 4.75~5.5V			
Input Voltage Range	85~264VAC 120~370VDC 47~63Hz			
Impact Current	Cold start current	15A/115VAC	30A/230VAC	
Overload Protection	105% ~ 150% cut off the output, automatic recovery			
Setup, Rise, Hold up Time	800ms, 20ms, 60ms/230VAC at full load			
Withstand Voltage	I/P-O/P: 1.5kV I/P-FG: 1.5kV O/P-FG 0.5kV 1minute			
Isolation Resistance	I/P-O/P I/P-FG O/P-FG: 500VDC/100MΩ			
Working Temperature	- 10°C ~ +60°C			
Dimension and Weight	159 x 98 x 38mm		0.55kg	

Note :

1. All parameters NOT specially mentioned are measured at 230VAC input, rated load and 25°C of ambient temperature.
2. Tolerance: includes set up tolerance, line regulation and load regulation.

Dimension Drawing



Connection Diagram

Terminal number	Terminal name	Terminal number	Terminal name
1	AC (L)	6	+15VOUT
2	AC (N)	7	COM
3	⊕	8	+5VOUT
4	-5VOUT	9	ADJ.
5	-15VOUT	10	LED

