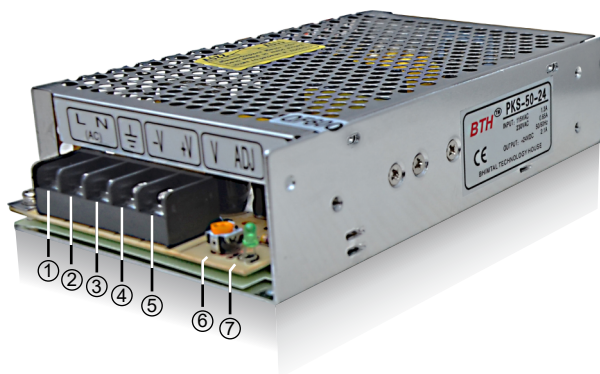




**Features:**

- » AC input selectable by switch
- » High efficiency, high reliability
- » 100% full load and machine test
- » Protection characteristics: short circuit/overload
- » Air cooling
- » Working frequency 37 KHz
- » Size: 159 x 98 x 38mm



Model & Specification	PKS-50-24
DC output Voltage, current	24V 0~2.1A
Wave and Noise	100mVp-p
Inlet wire stability	± 0.5%
Load stability	± 0.5%
Efficiency	82%
Adjustable range for DC Voltage	± 10%
Input Voltage range	90~132VAC / 180~264VAC by switch 254~370VDC 47~63Hz
Impact Current	Cold start current 18A/115VAC 36A/230VAC
Overload protection	105% ~ 150% cut off the output, automatic recovery
Setup, Rise, Hold up time	200ms, 100ms, 20ms/230VAC at full load
Withstand Voltage	I/P-O/P: 1.5kV I/P-FG: 1.5kV O/P-FG 0.5kV 1minute
Isolation Resistance	I/P-O/P I/P-FG O/P-FG: 500VDC/100MΩ
Working Temperature	- 10°C ~ +50°C
Dimension and Weight	159 x 98 x 38mm 0.5kg

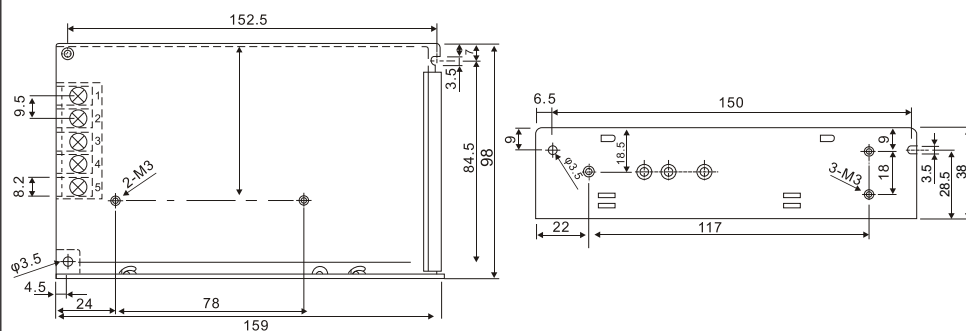
**Note :**

1. All parameters NOT specially mentioned are measured at 230VAC input, rated load and 25°C of ambient temperature.
2. Tolerance: includes set up tolerance, line regulation and load regulation.

**■ Connection Diagram**

**■ Dimension Drawing**

Terminal number	Terminal name	Description
1	AC (L)	AC Input terminal
2	AC (N)	
3	⊖	Ground
4	-VOUT	DC Output terminal
5	+VOUT	
6	V-ADJ.	Output voltage variable volume
7	LED	Indicator



The specifications are subject to change without prior notice